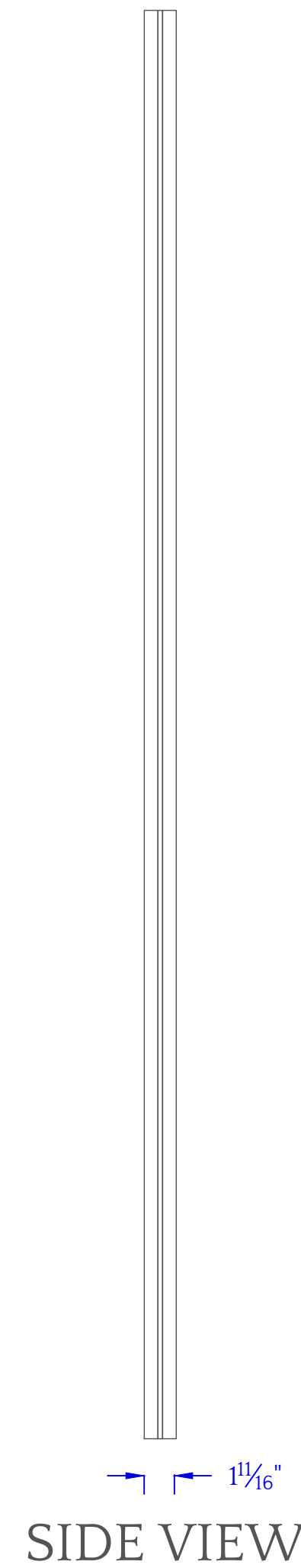
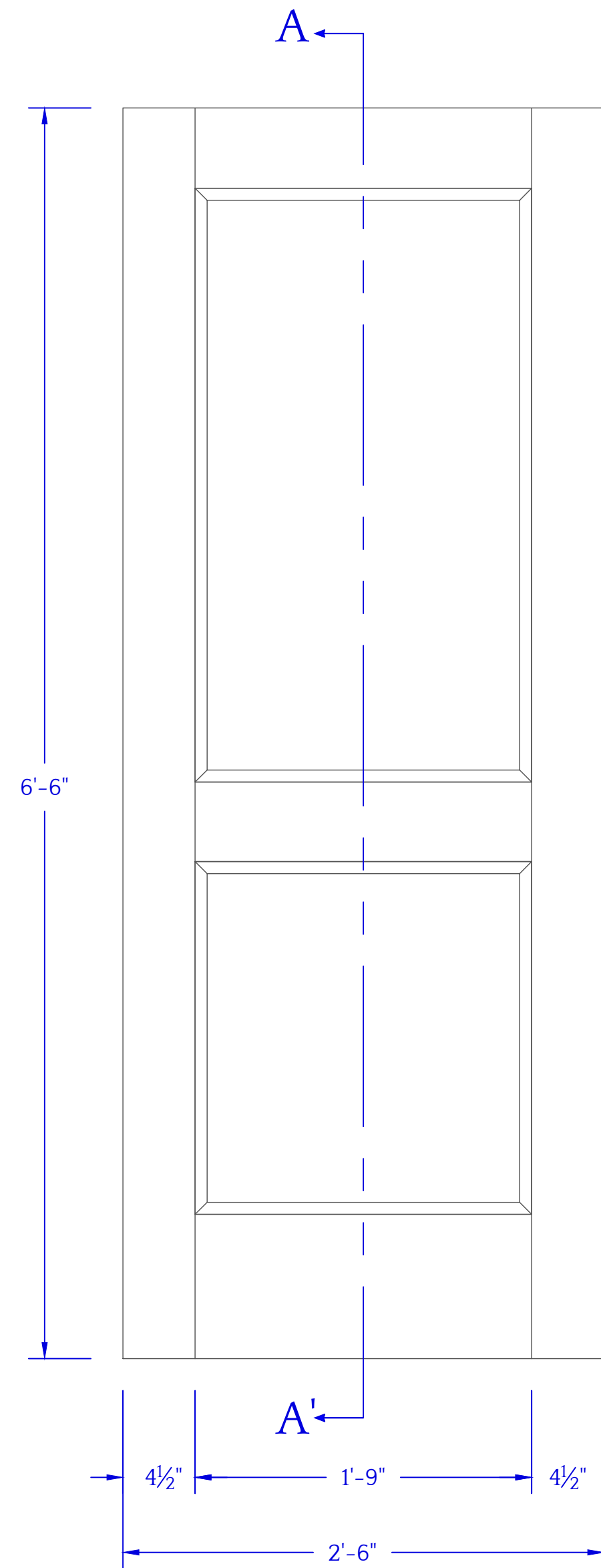
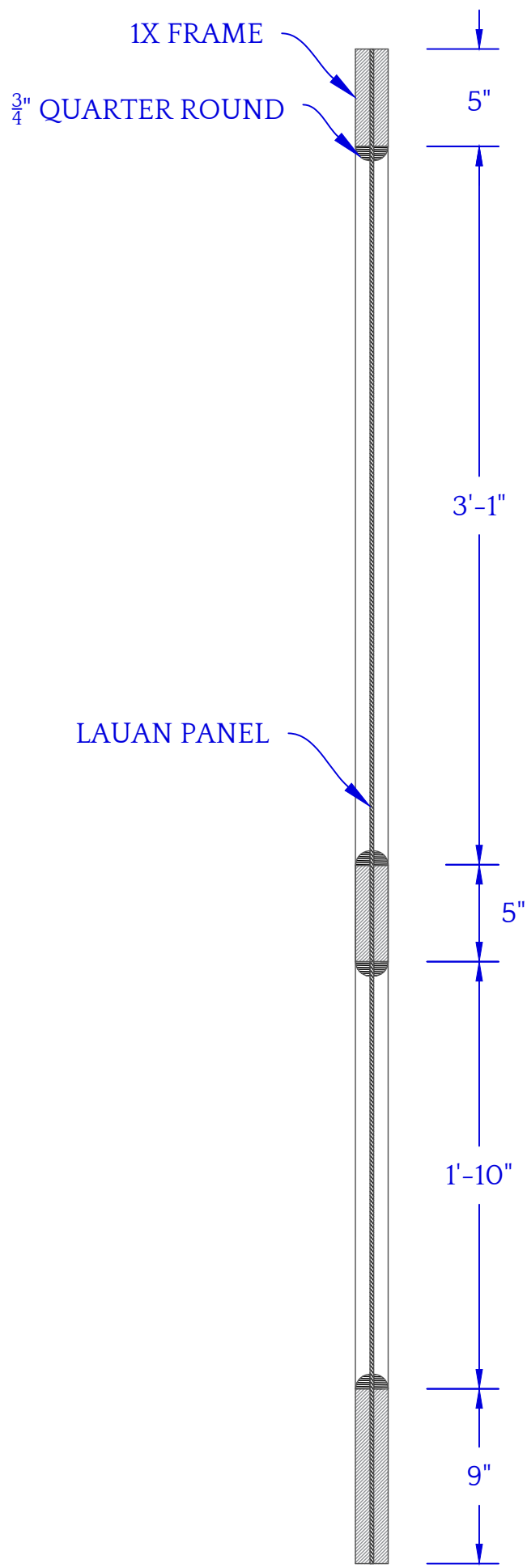


JOB #11

NOTES:

- *1 X FRAMING AND LAUAN PANELING
- *OPENS UPSTAGE - FINISH BOTH SIDES

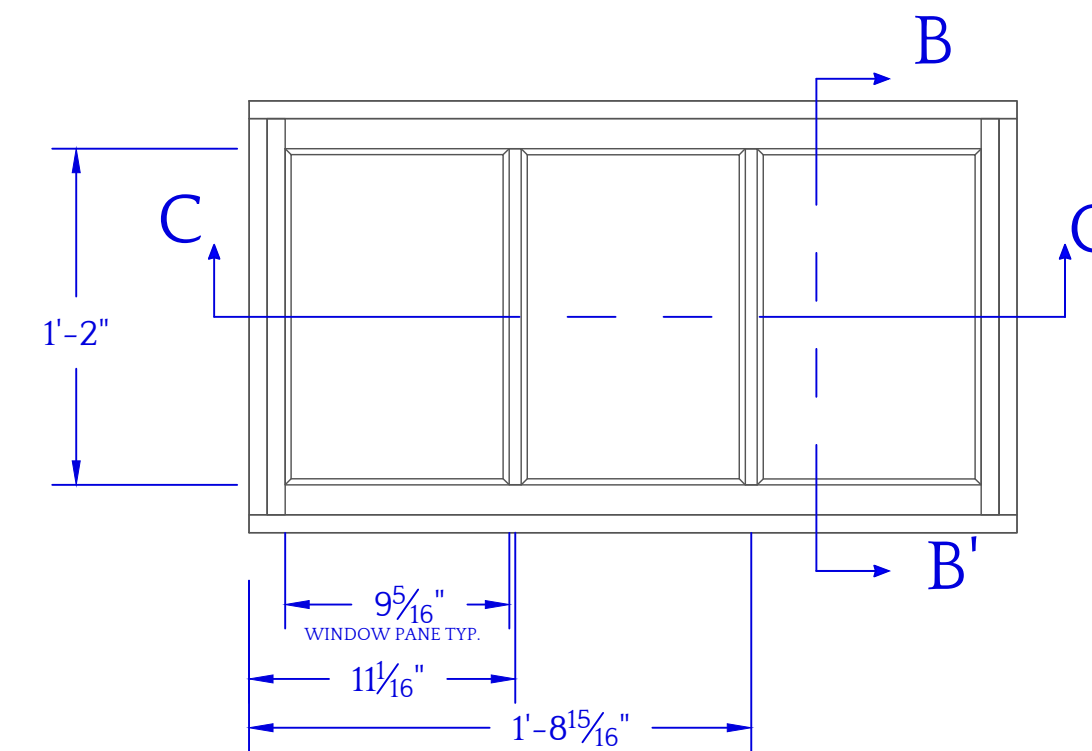
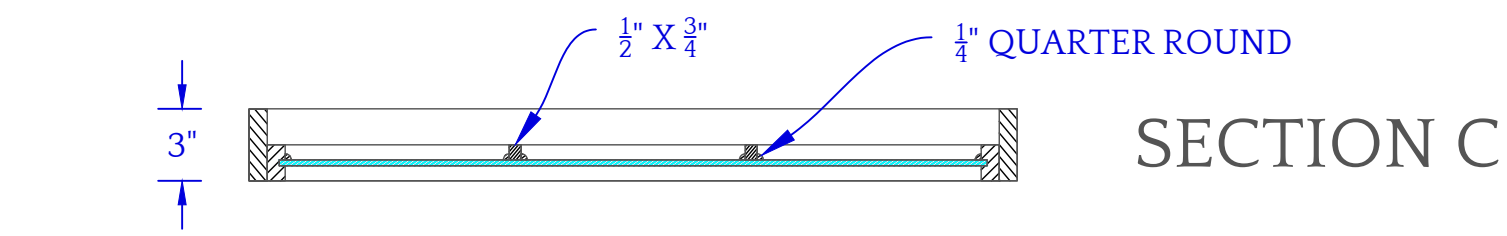


SECTION A

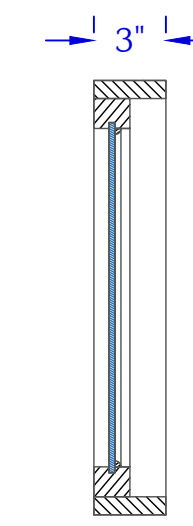
FRONT VIEW

UPSTAGE DOOR

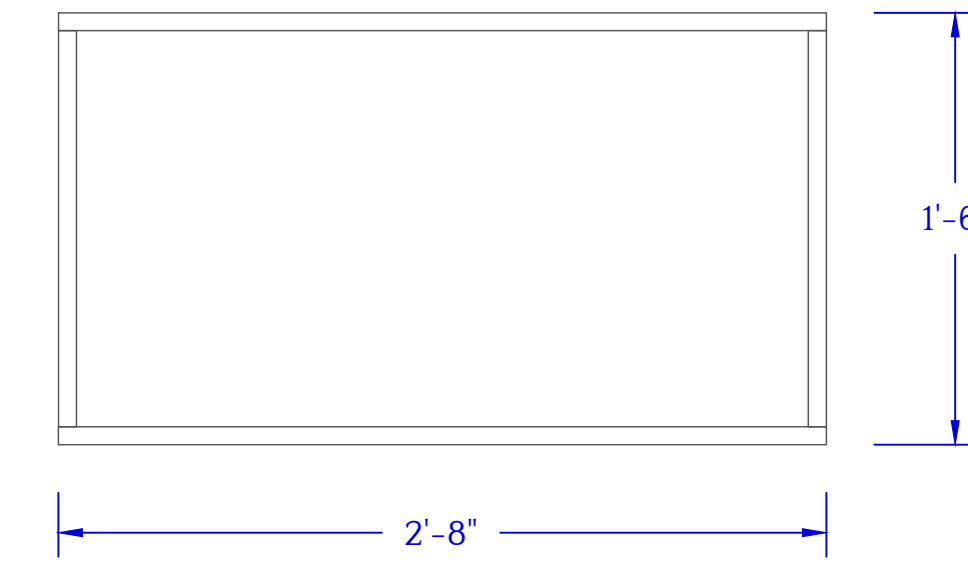
BUILD ONE



FRONT VIEW - ASSEMBLED



SECTION B

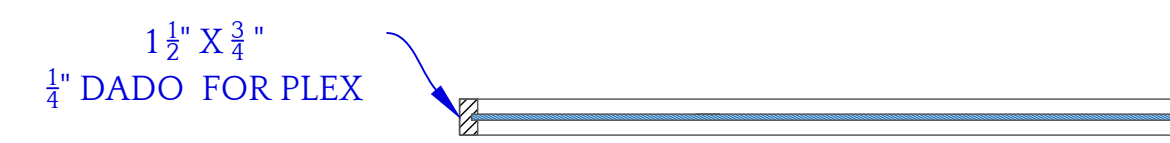


OUTER FRAME

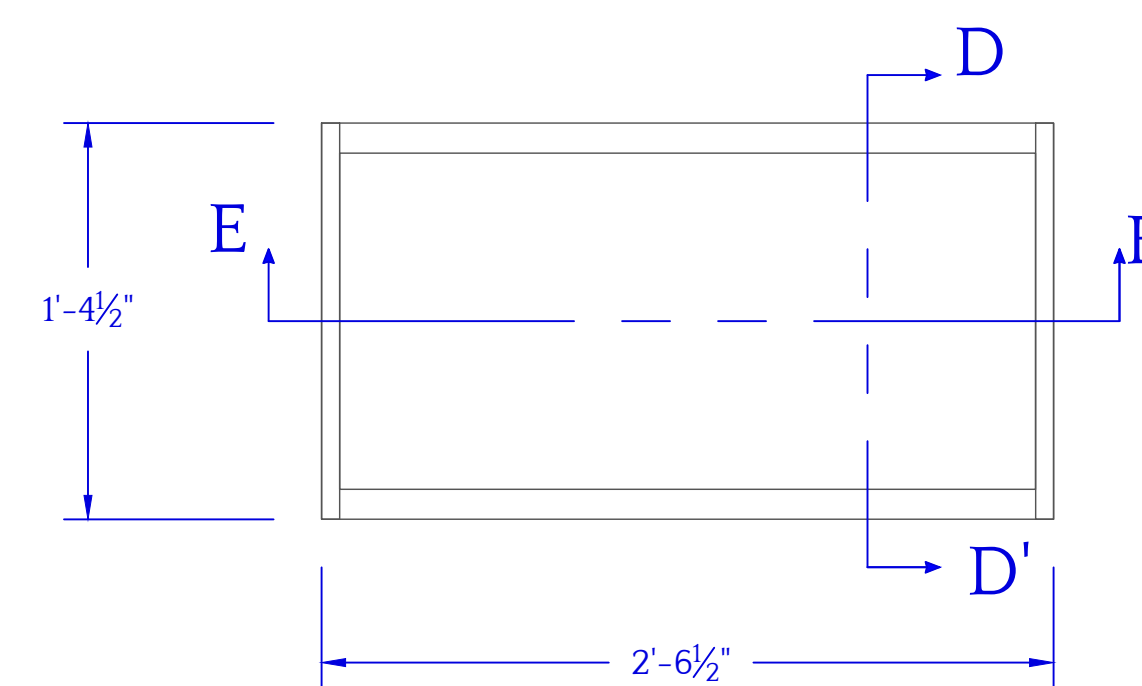
JOB #12

NOTES:

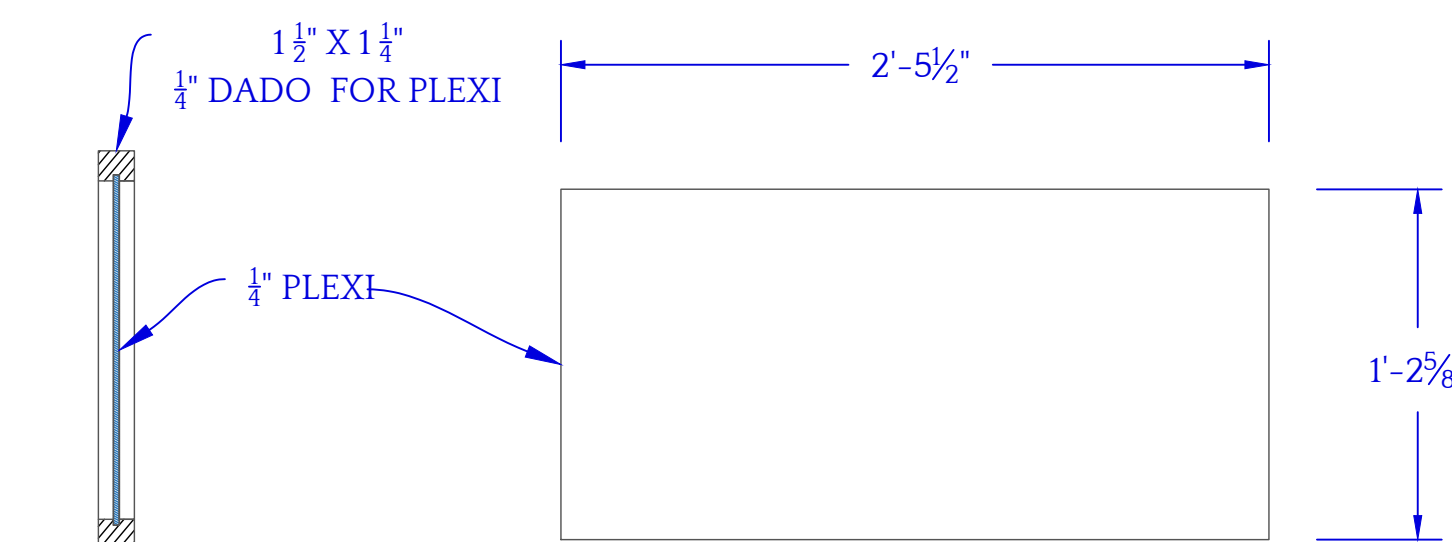
- *CONSTRUCT USING 1X AND 2X4
- *MAKE 1/4" ROUND USING A ROUTER



SECTION E



FRONT VIEW - INNER FRAME



1/4" PLEXI DIMENSIONS

SECTION D

WINDOW

BUILD ONE

REVISION:

DIRECTOR:	LISA ROTHE
DESIGNER:	LEE SAVAGE
TECHNICAL DIRECTOR:	LAURA PATES
DRAWN BY:	MACKENZIE KOVAKA

DETROIT '67	DOOR AND WINDOW	PLAYMAKERS REPERTORY THEATER	PAUL GREEN THEATER
-------------	-----------------	------------------------------	--------------------

SCALE:	1-1/2" = 1'-0"
DATE:	8/19/2016

PLATE NO.	
OF ?	