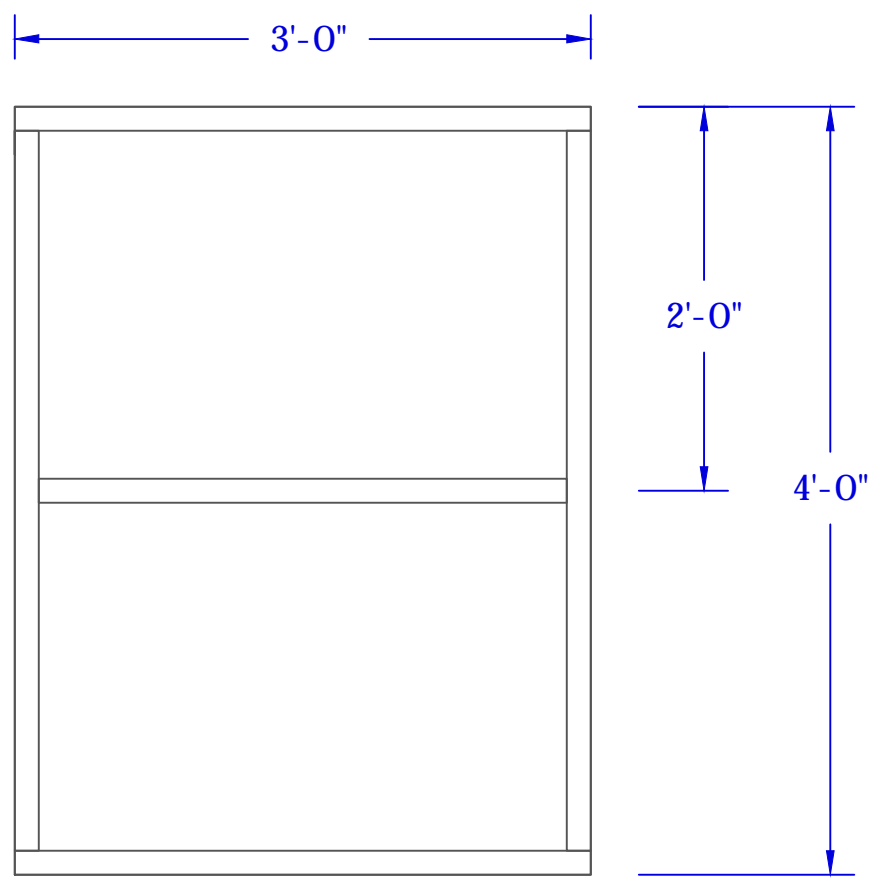
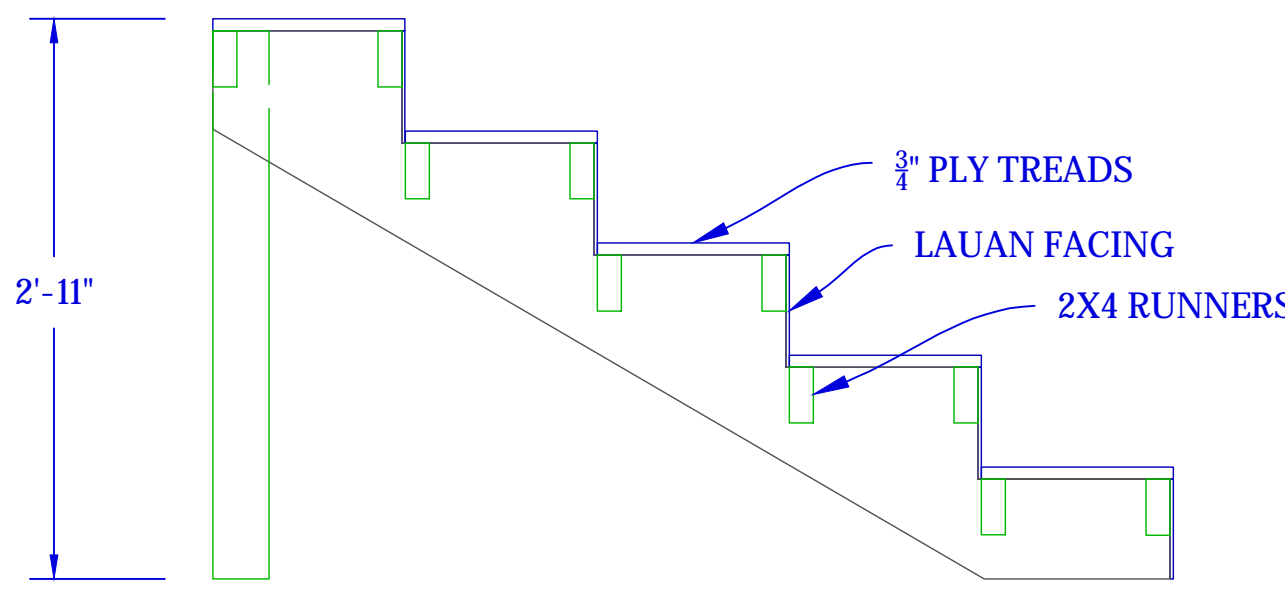
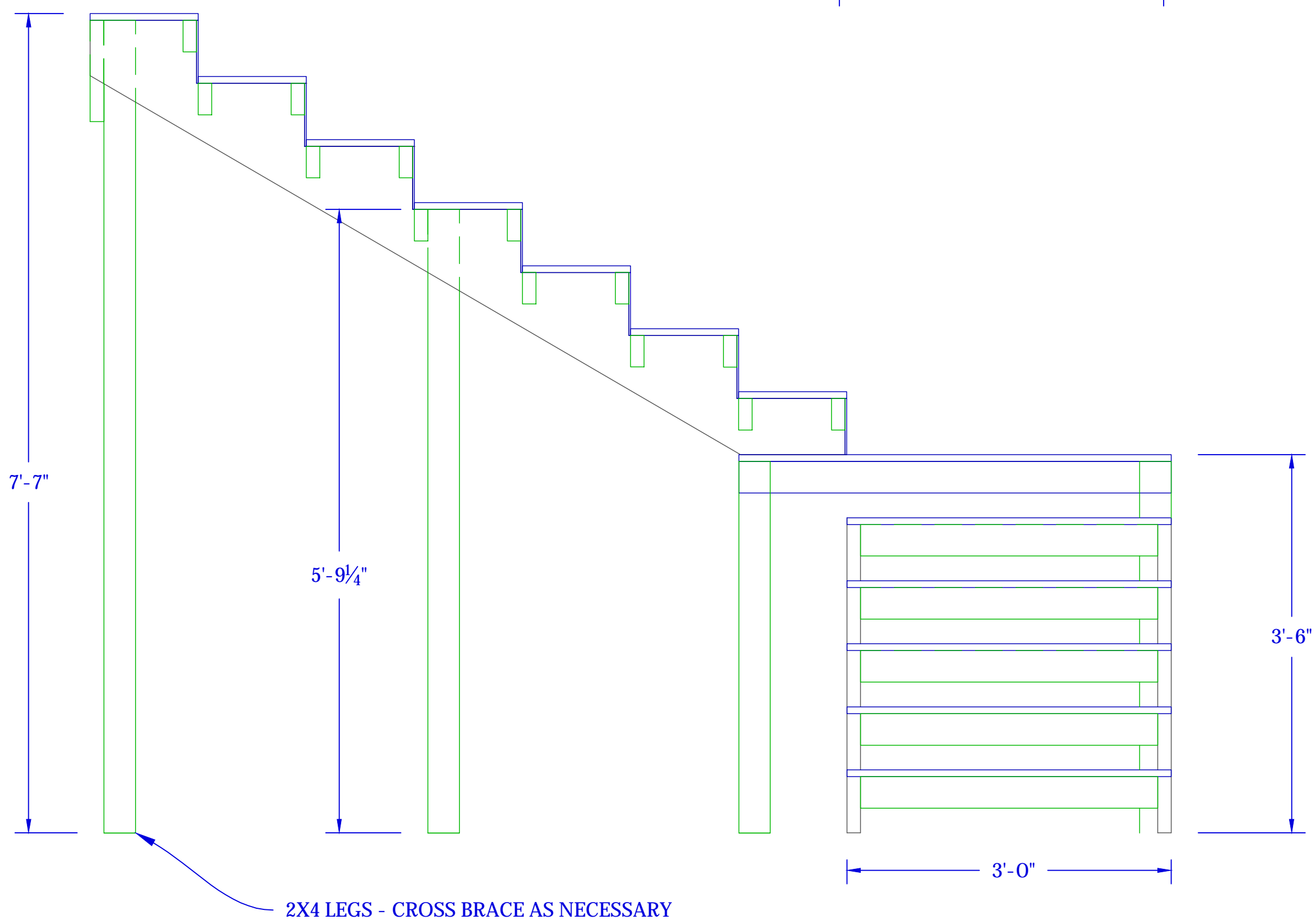


NOTES:
 *LEG-UP IN SHOP
 *CROSS BRACE AS NECESSARY

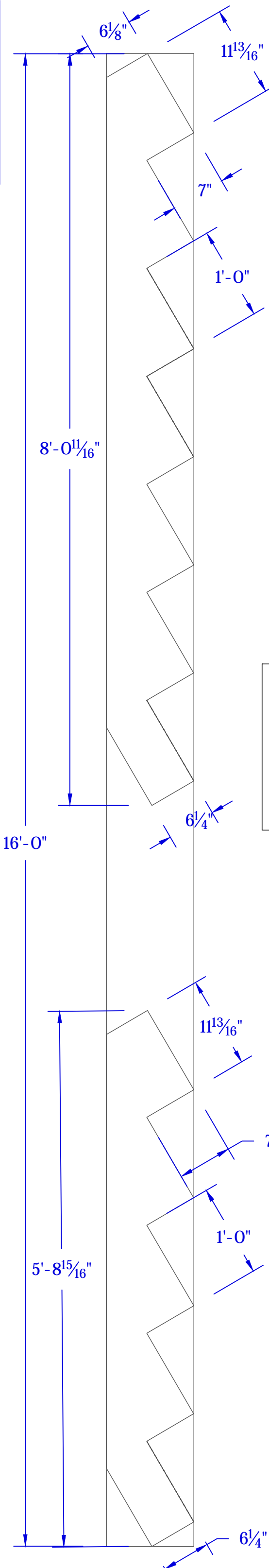
JOB #7



STAIR PLATFORM
 TOP VIEW - LID REMOVED
 2X4 CONSTRUCTION
 3/4" PLY LID



STAIRS - ASSEMBLED



STAIR TREADS
 CUT 2 OF EACH
 CUT TREADS FROM 2 X 12

REVISION:	
DIRECTOR:	LISA ROTHE
DESIGNER:	LEE SAVAGE
TECHNICAL DIRECTOR:	LAURA PATES
DRAWN BY:	MACKENZIE KOVAKA
DETROIT '67	
ONSTAGE STAIRS	
PLAYMAKERS REPERTORY THEATER	PAUL GREEN THEATER
SCALE:	3/8 = 1'-0"
DATE:	8/14/2016
PLATE NO.	
OF 2	